

Marker Beacon S35-1000-10

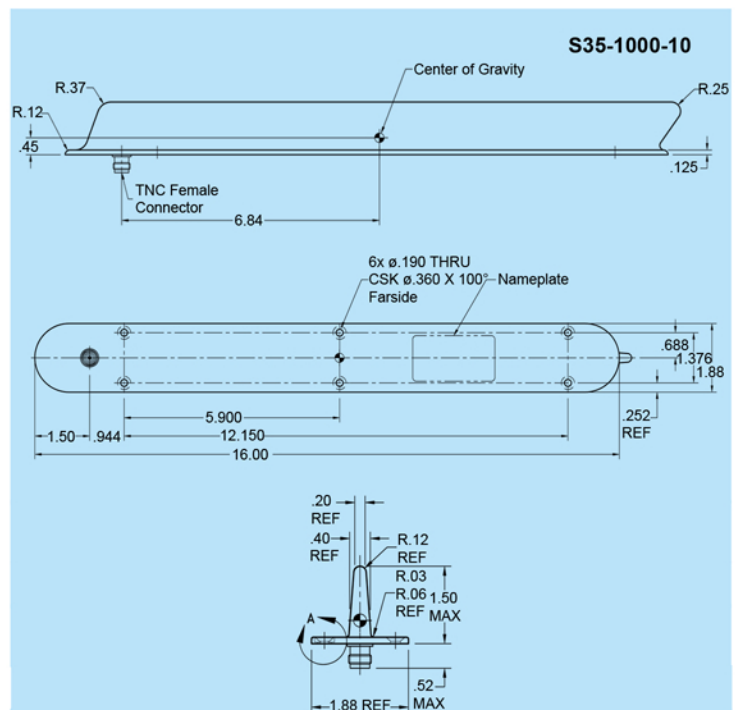


DESCRIPTION

S35-1000-10: Fabricated from aluminum alloy casting which is impervious to the tough environments typical of the underside of an aircraft. Skydrol and erosion resistant. DC grounded for lightning protection. Electrical characteristics similar to short horizontal dipole, providing VSWR and radiation patterns per MIL-A-5999A.

FEDERAL & MILITARY SPECS: FAA TSO-C35c, ETSO-2C35d, MIL-A-5999A, MIL-E-5400H.

SPECIFICATIONS	
MODELS	S35-1000-10
ELECTRICAL	
Frequency	75 MHz
VSWR	≤1.5:1 @ 75 ≤5.0:1 @ 75±0.15 MHz
Pattern	Single downward lobe
Polarization	Linear (major axis)
Impedance	50 ohms
Gain	0±2 dBi (Relative Isotropic)
Lightning Protection	DC grounded
MECHANICAL	
Weight	12 oz.
Height	1.50 in.
Material	A356-T6 Aluminum Alloy/Epoxy Fiberglass.
Finish	Skydrol-Resistant Polyurethane Enamel
Connector	TNC Female
ENVIRONMENTAL	
Temperature	-61°C (-77°F) to +85°C (+165°F)
Vibration	10 Gs
Altitude	-1,800 to 70,000 ft.
Sideload	12 PSI



Note: For Reference Only.
Contact Sensor Systems for the latest engineering drawings.

Doc # DS S35-1000-10_D, 052114: MRKT **MDV** ENG **RC** QC **DJ**



Sensor Systems, Inc. 8929 Fullbright Ave., Chatsworth, CA 91311 Ph: 818-341-5366 Fax: 818-341-9059
Email: info@sensorantennas.com www.sensorantennas.com